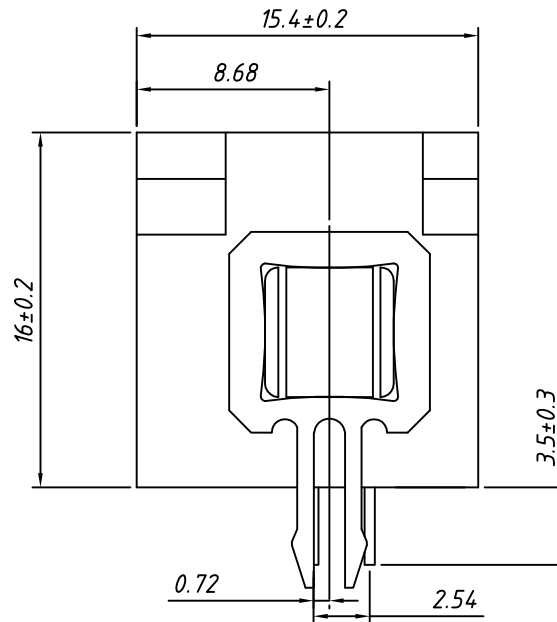
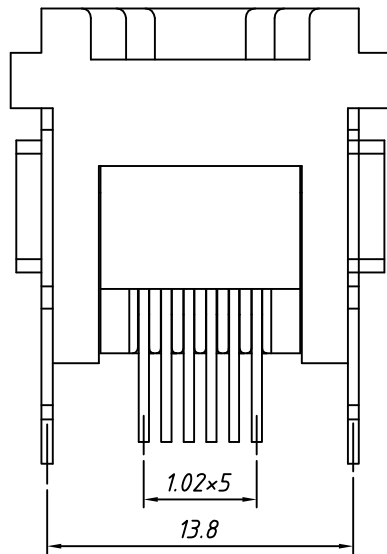


PCB Layout



Material:
Housing: PBT+Glass Filled Polyester
Flammability Rating : UL94V-0
Contacts: Phosphor Bronze $\phi 0.46\text{mm}$
Plating: Gold Plating
PEG: Steel, Tin Plating

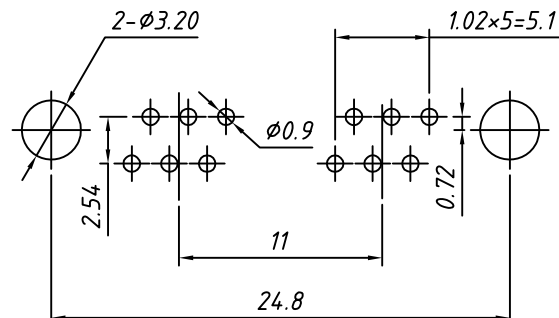
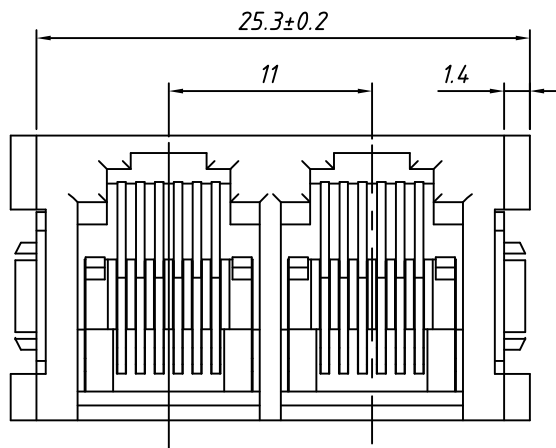
Electrical:
Voltage Rating: 125VAC
Current Rating: 1.5A
Contact Resistance: $30\text{m}\Omega$ Max.
Insulation Resistance: $500\text{M}\Omega$ Min.
Dielectric Strength: 1000VAC Rms 50Hz, 1 Min.
Durability: 600 cycles Min.
Operation Temperature: $-40^{\circ}\text{C} \sim +70^{\circ}\text{C}$

Order Information

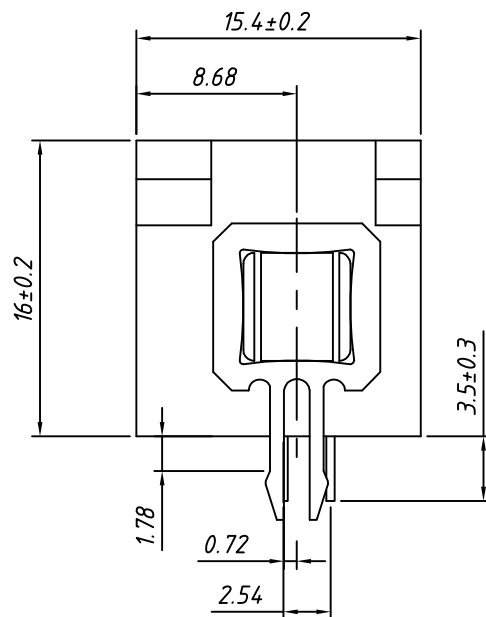
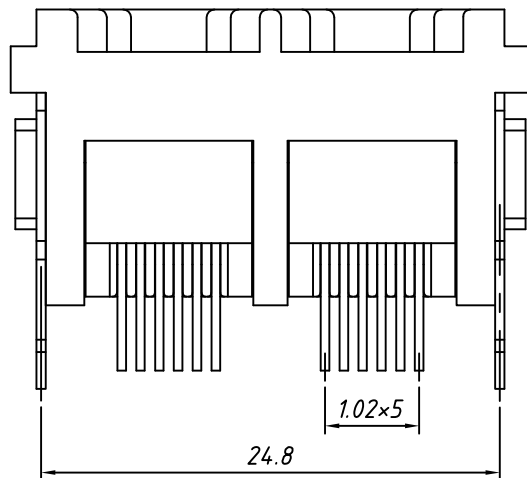
L-KLS12-303-6P6C-1x1-1-2-XX-B

RoHS
Contacts: 6P6C
Peg Code: 1-With IRON PEG
Insert Angle: 2-180°(Straight)
Plating Code:
01-Fu" Gold Plating
02-3u" Gold Plating
03-6u" Gold Plating
04-15u" Gold Plating
05-30u" Gold Plating
Color Code: B-Black
G-Gray

GENERAL TOLERANCE	PROJECTION		Description:
X. ± 0.30	UNITS	mm	Modular jacks RJ12-6P6C 1x1, Straight with KOSKY/N: L-KLS12-303-6P6C-1x1-1-2-XX-B
.X ± 0.25	SCALE	1:1	
.XX ± 0.20	Draw by:	Jenny	
ANGLE TOLERANCE	Check by:	Daniel	NingBo KLS ELECTRONIC CO.,LTD.
X. $\pm 3^{\circ}$	Date	2019-12-26	
.X $\pm 2^{\circ}$	SHEET	1 OF 1	
.XX $\pm 1^{\circ}$			



PCB Layout



Material:
 Housing: PBT+Glass Filled Polyester
 Flammability Rating: UL94V-0
 Contacts: Phosphor Bronze $\phi 0.46\text{mm}$
 Plating: Gold Plating
 PEG: Steel, Tin Plating

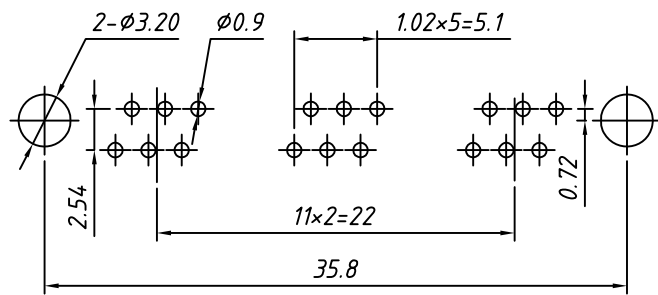
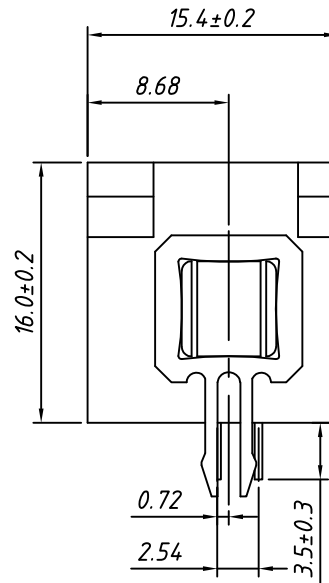
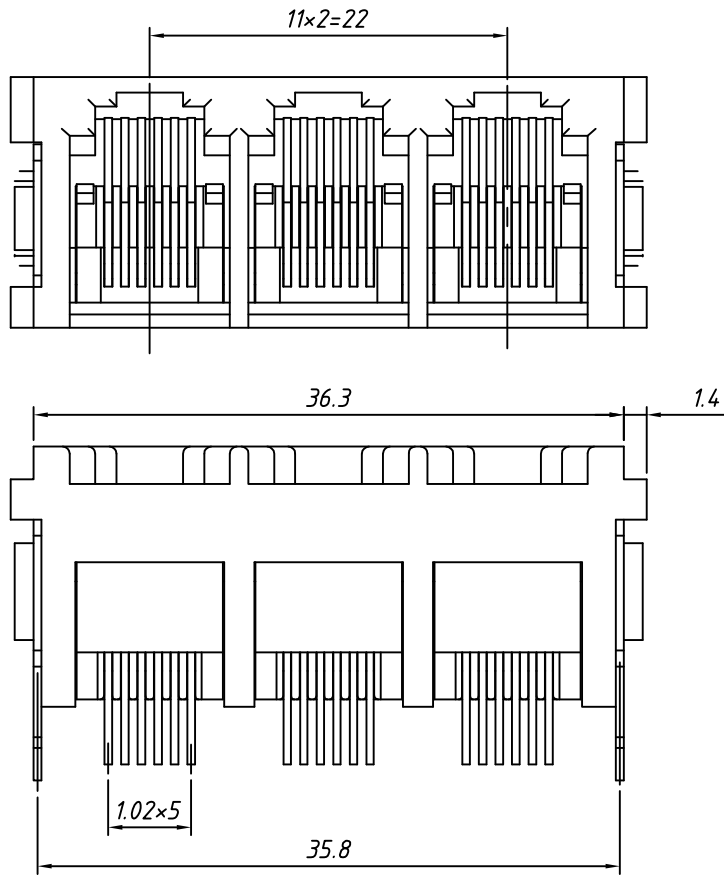
Electrical:
 Voltage Rating: 125VAC
 Current Rating: 1.5A
 Contact Resistance: $30\text{m}\Omega$ Max.
 Insulation Resistance: $500\text{M}\Omega$ Min.
 Dielectric Strength: 1000VAC Rms 50Hz, 1 Min.
 Durability: 600 cycles Min.
 Operation Temperature: $-40^{\circ}\text{C} \sim +70^{\circ}\text{C}$

Order Information

L-KLS12-303-6P6C-1x2-1-2-XX-B

RoHS
 Contacts: 6P6C
 Peg Code: 1-With IRON PEG
 Insert Angle: 2-180°(Straight)
 Plating Code:
 01-Fu" Gold Plating
 02-3u" Gold Plating
 03-6u" Gold Plating
 04-15u" Gold Plating
 05-30u" Gold Plating
 Color Code: B-Black
 G-Gray

GENERAL TOLERANCE	PROJECTION		Description:
X. ± 0.30	UNITS	mm	Modular jacks RJ12-6P6C 1x2, Straight with
.X ± 0.25	SCALE	1:1	
.XX ± 0.20	Draw by:	Jenny	
ANGLE TOLERANCE	Check by:	Daniel	 NingBo KLS ELECTRONIC CO.,LTD.
X. $\pm 3^{\circ}$	Date	2019-12-26	
.X $\pm 2^{\circ}$	SHEET	1 OF 1	
.XX $\pm 1^{\circ}$			



PCB Layout

Material:
Housing: PBT+Glass Filled Polyester
Flammability Rating: UL94V-0
Contacts: Phosphor Bronze $\phi 0.46\text{mm}$
Plating: Gold Plating
PEG: Steel, Tin Plating

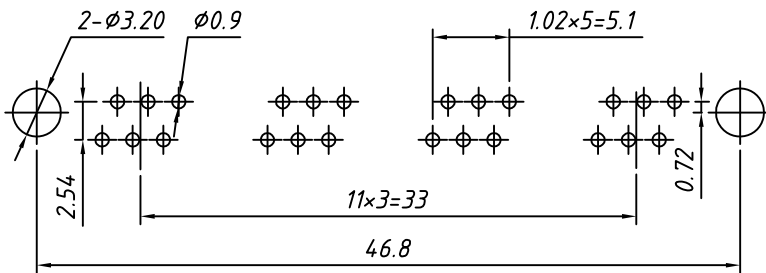
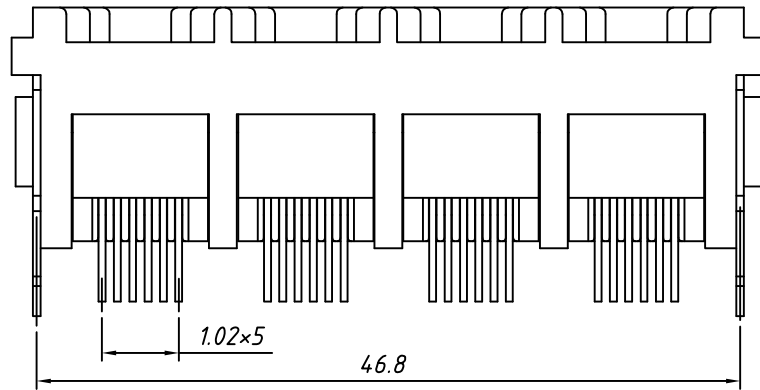
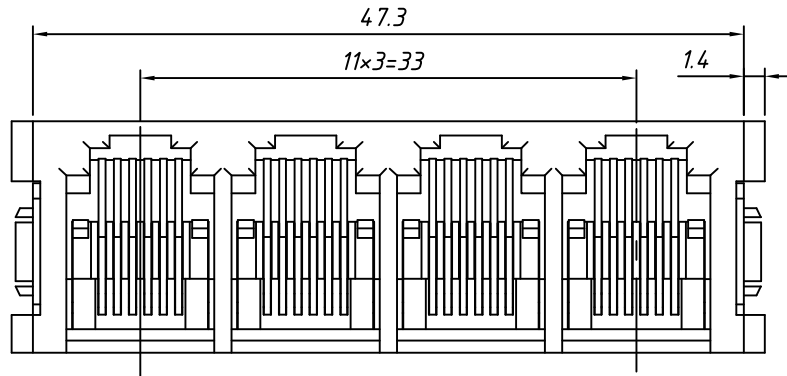
Electrical:
Voltage Rating: 125VAC
Current Rating: 1.5A
Contact Resistance: $30\text{m}\Omega$ Max.
Insulation Resistance: $500\text{M}\Omega$ Min.
Dielectric Strength: 1000VAC Rms 50Hz, 1 Min.
Durability: 600 cycles Min.
Operation Temperature: $-40^{\circ}\text{C} \sim +70^{\circ}\text{C}$

Order Information

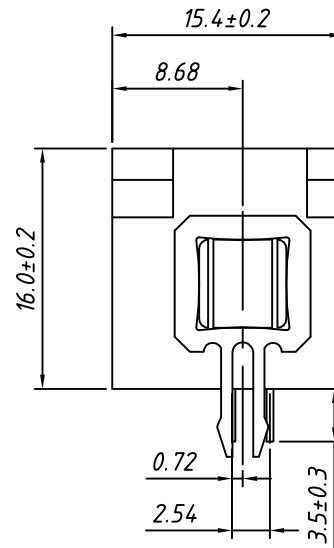
L-KLS12-303-6P6C-1x3-1-2-XX-B

RoHS
 Contacts: 6P6C
 Peg Code: 1-With IRON PEG
 Insert Angle: 2-180°(Straight)
 Plating Code:
 01-Fu" Gold Plating
 02-3u" Gold Plating
 03-6u" Gold Plating
 04-15u" Gold Plating
 05-30u" Gold Plating
 Color Code: B-Black
 G-Gray

GENERAL TOLERANCE	PROJECTION		Description:
X. ± 0.30	UNITS	mm	Modular jacks RJ12-6P6C 1x3, Straight with KOSKY/N: L-KLS12-303-6P6C-1x3-1-2-XX-B
.X ± 0.25	SCALE	1:1	
.XX ± 0.20	Draw by:	Jenny	
ANGLE TOLERANCE	Check by:	Daniel	NingBo KLS ELECTRONIC CO.,LTD.
X. $\pm 3^{\circ}$	Date	2019-12-26	
.X $\pm 2^{\circ}$	SHEET	1 OF 1	
.XX $\pm 1^{\circ}$			



PCB Layout



Material:
 Housing: PBT+Glass Filled Polyester
 Flammability Rating : UL94V-0
 Contacts: Phosphor Bronze Ø0.46mm
 Plating: Gold Plating
 PEG: Steel, Tin Plating

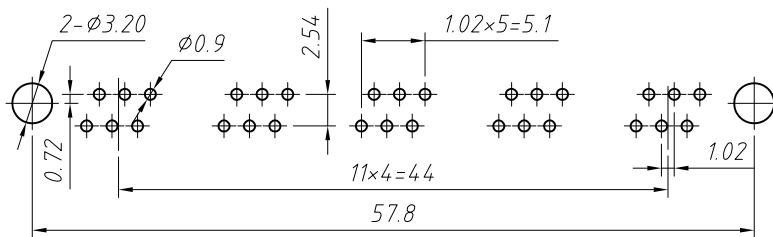
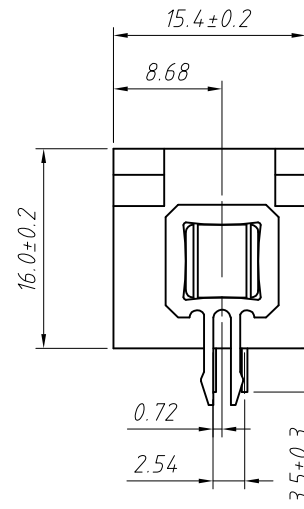
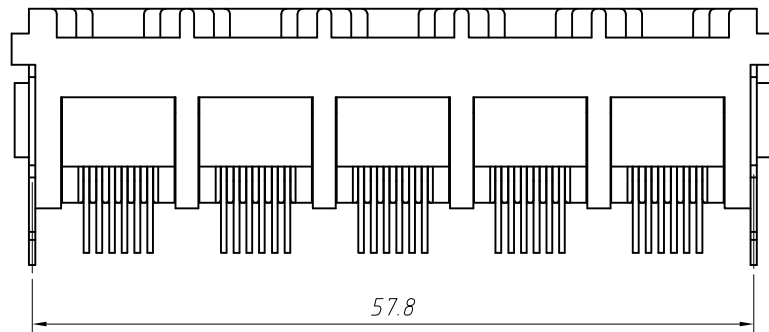
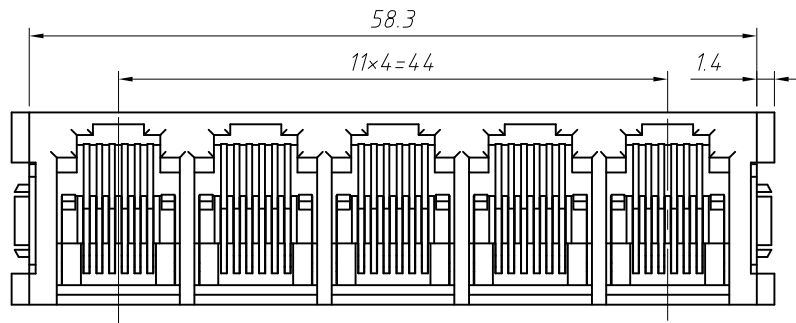
Electrical:
 Voltage Rating: 125VAC
 Current Rating: 1.5A
 Contact Resistance: 30mΩ Max.
 Insulation Resistance: 500MΩ Min.
 Dielectric Strength: 1000VAC Rms
 50Hz, 1 Min.
 Durability: 600 cycles Min.
 Operation Temperature: -40°C ~ +70°C

Order Information

L-KLS12-303-6P6C-1x4-1-2-XX-B

RoHS
 Contacts: 6P6C
 Peg Code: 1-With IRON PEG
 Insert Angle: 2-180°(Straight)
 Plating Code:
 01-Fu" Gold Plating
 02-3u" Gold Plating
 03-6u" Gold Plating
 04-15u" Gold Plating
 05-30u" Gold Plating
 Color Code: B-Black
 G-Gray

GENERAL TOLERANCE	PROJECTION		Description:
X. ±0.30	UNITS	mm	Modular jacks RJ12-6P6C 1x4, Straight with KOSKY/N: L-KLS12-303-6P6C-1x4-1-2-XX-B
.X ±0.25	SCALE	1:1	
.XX ±0.20	Draw by:	Jenny	
ANGLE TOLERANCE	Check by:	Daniel	 NingBo KLS ELECTRONIC CO.,LTD.
X. ±3°	Date	2019-12-26	
.X ±2°	SHEET	1 OF 1	
.XX ±1°			



PCB Layout

Material:
Housing: PBT+Glass Filled Polyester
Flammability Rating : UL94V-0
Contacts: Phosphor Bronze $\phi 0.46\text{mm}$
Plating: Gold Plating
PEG: Steel, Tin Plating

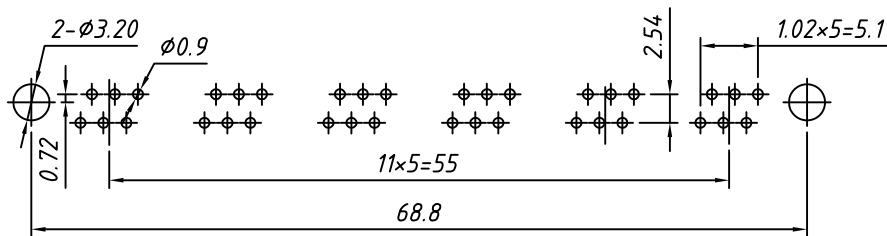
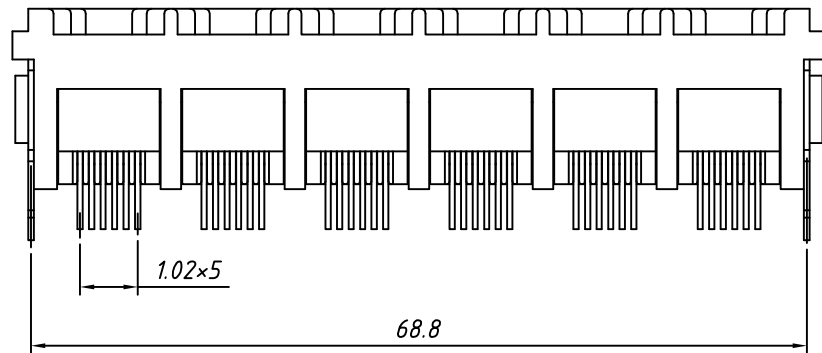
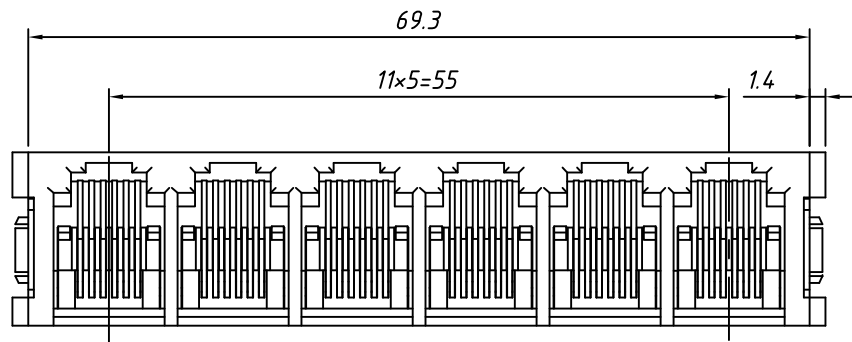
Electrical:
Voltage Rating: 125VAC
Current Rating: 1.5A
Contact Resistance: $30\text{m}\Omega$ Max.
Insulation Resistance: $500\text{M}\Omega$ Min.
Dielectric Strength: 1000VAC Rms 50Hz, 1 Min.
Durability: 600 cycles Min.
Operation Temperature: $-40^{\circ}\text{C} \sim +70^{\circ}\text{C}$

Order Information

L-KLS12-303-6P6C-1x5-1-2-XX-B

RoHS
Contacts: 6P6C
Peg Code: 1-With IRON PEG
Insert Angle: 2-180°(Straight)
Plating Code:
01-1u" Gold Plating
02-3u" Gold Plating
03-6u" Gold Plating
04-15u" Gold Plating
05-30u" Gold Plating
Color Code: B-Black
G-Gray

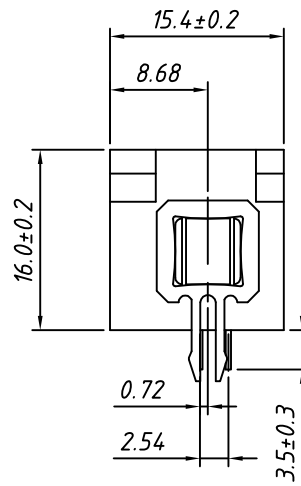
GENERAL TOLERANCE	PROJECTION		Description:
X. ± 0.30	UNITS	mm	Modular jacks RJ12-6P6C 1x5, Straight with
.X ± 0.25	SCALE	1:1	
.XX ± 0.20	Draw by:	Jenny	
ANGLE TOLERANCE	Check by:	Daniel	KOOSK/N: L-KLS12-303-6P6C-1x5-1-2-XX-B
X. $\pm 3^{\circ}$	Date	2019-12-26	NingBo KLS ELECTRONIC CO.,LTD.
.X $\pm 2^{\circ}$	SHEET	1 OF 1	
.XX $\pm 1^{\circ}$			



PCB Layout

Material:
 Housing: PBT+Glass Filled Polyester
 Flammability Rating: UL94V-0
 Contacts: Phosphor Bronze $\phi 0.46\text{mm}$
 Plating: Gold Plating
 PEG: Steel, Tin Plating

Electrical:
 Voltage Rating: 125VAC
 Current Rating: 1.5A
 Contact Resistance: $30\text{m}\Omega$ Max.
 Insulation Resistance: $500\text{M}\Omega$ Min.
 Dielectric Strength: 1000VAC Rms 50Hz, 1 Min.
 Durability: 600 cycles Min.
 Operation Temperature: $-40^{\circ}\text{C} \sim +70^{\circ}\text{C}$

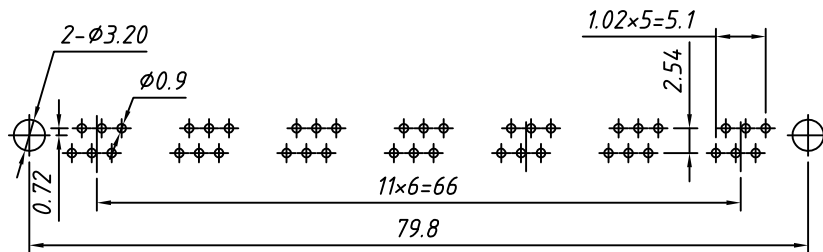
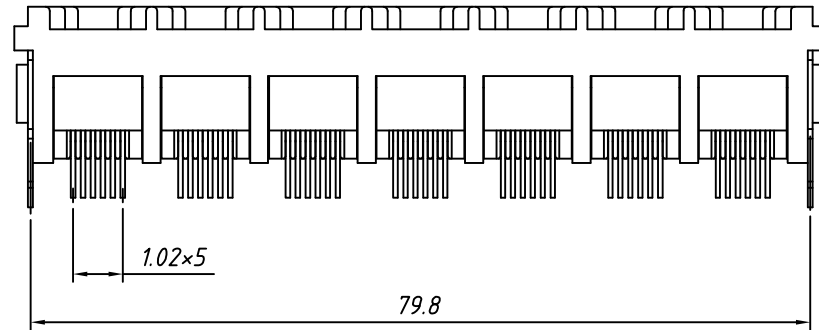
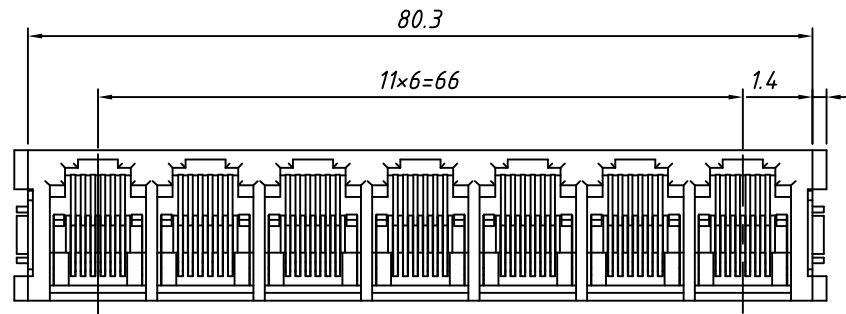


Order Information

L-KLS12-303-6P6C-1x6-1-2-XX-B

RoHS
 Contacts: 6P6C
 Peg Code: 1-With IRON PEG
 Insert Angle: 2-180°(Straight)
 Plating Code:
 01-Fu" Gold Plating
 02-3u" Gold Plating
 03-6u" Gold Plating
 04-15u" Gold Plating
 05-30u" Gold Plating
 Color Code: B-Black
 G-Gray

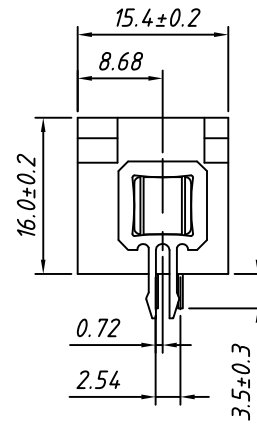
GENERAL TOLERANCE	PROJECTION		Description:
X. ± 0.30	UNITS	mm	Modular jacks RJ12-6P6C 1x6, Straight with
.X ± 0.25	SCALE	1:1	
.XX ± 0.20	Draw by:	Jenny	
ANGLE TOLERANCE	Check by:	Daniel	KLS NingBo KLS ELECTRONIC CO.,LTD.
X. $\pm 3^{\circ}$	Date	2019-12-26	
.X $\pm 2^{\circ}$	SHEET	1 OF 1	
.XX $\pm 1^{\circ}$			



PCB Layout

Material:
Housing: PBT+Glass Filled Polyester
Flammability Rating: UL94V-0
Contacts: Phosphor Bronze $\phi 0.46\text{mm}$
Plating: Gold Plating
PEG: Steel, Tin Plating

Electrical:
Voltage Rating: 125VAC
Current Rating: 1.5A
Contact Resistance: $30\text{m}\Omega$ Max.
Insulation Resistance: $500\text{M}\Omega$ Min.
Dielectric Strength: 1000VAC Rms 50Hz, 1 Min.
Durability: 600 cycles Min.
Operation Temperature: $-40^{\circ}\text{C} \sim +70^{\circ}\text{C}$

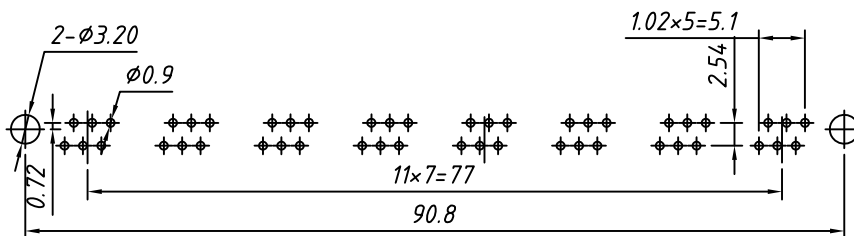
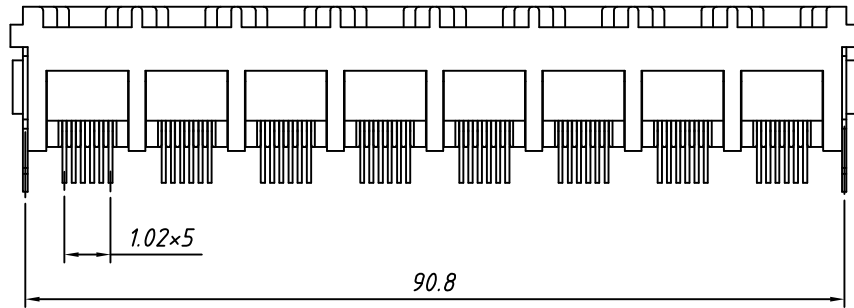
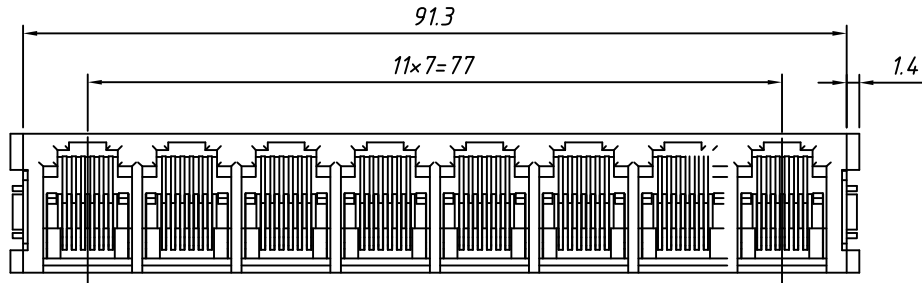


Order Information

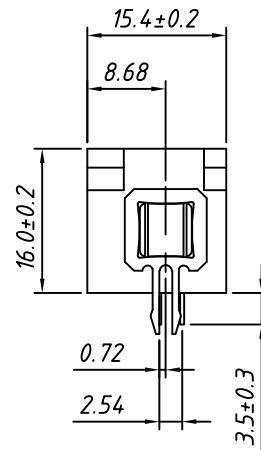
L-KLS12-303-6P6C-1x7-1-2-XX-B

RoHS
Contacts: 6P6C
Peg Code: 1-With IRON PEG
Insert Angle: 2-180°(Straight)
Plating Code:
 01-1u" Gold Plating
 02-3u" Gold Plating
 03-6u" Gold Plating
 04-15u" Gold Plating
 05-30u" Gold Plating
Color Code: B-Black
 G-Gray

GENERAL TOLERANCE	PROJECTION		Description:
X. ± 0.30	UNITS	mm	Modular jacks RJ12-6P6C 1x7, Straight with KOSKY/N: L-KLS12-303-6P6C-1x7-1-2-XX-B
.X ± 0.25	SCALE	1:1	
.XX ± 0.20	Draw by:	Jenny	
ANGLE TOLERANCE	Check by:	Daniel	NingBo KLS ELECTRONIC CO.,LTD.
X. $\pm 3^{\circ}$	Date	2019-12-26	
.X $\pm 2^{\circ}$	SHEET	1 OF 1	
.XX $\pm 1^{\circ}$			



PCB Layout



Material:
 Housing: PBT+Glass Filled Polyester
 Flammability Rating: UL94V-0
 Contacts: Phosphor Bronze $\phi 0.46\text{mm}$
 Plating: Gold Plating
 PEG: Steel, Tin Plating

Electrical:
 Voltage Rating: 125VAC
 Current Rating: 1.5A
 Contact Resistance: $30\text{m}\Omega$ Max.
 Insulation Resistance: $500\text{M}\Omega$ Min.
 Dielectric Strength: 1000VAC Rms 50Hz, 1 Min.
 Durability: 600 cycles Min.
 Operation Temperature: $-40^{\circ}\text{C} \sim +70^{\circ}\text{C}$

Order Information

L-KLS12-303-6P6C-1x8-1-2-XX-B

RoHS
 Contacts: 6P6C
 Peg Code: 1-With IRON PEG
 Insert Angle: 2-180°(Straight)
 Plating Code:
 01-1u" Gold Plating
 02-3u" Gold Plating
 03-6u" Gold Plating
 04-15u" Gold Plating
 05-30u" Gold Plating
 Color Code: B-Black
 G-Gray

GENERAL TOLERANCE	PROJECTION		Description:
X. ± 0.30	UNITS	mm	Modular jacks RJ12-6P6C 1x8, Straight with
.X ± 0.25	SCALE	1:1	
.XX ± 0.20	Draw by:	Jenny	
ANGLE TOLERANCE	Check by:	Daniel	NingBo KLS ELECTRONIC CO.,LTD.
X. $\pm 3^{\circ}$	Date	2019-12-26	
.X $\pm 2^{\circ}$	SHEET	1 OF 1	
.XX $\pm 1^{\circ}$			